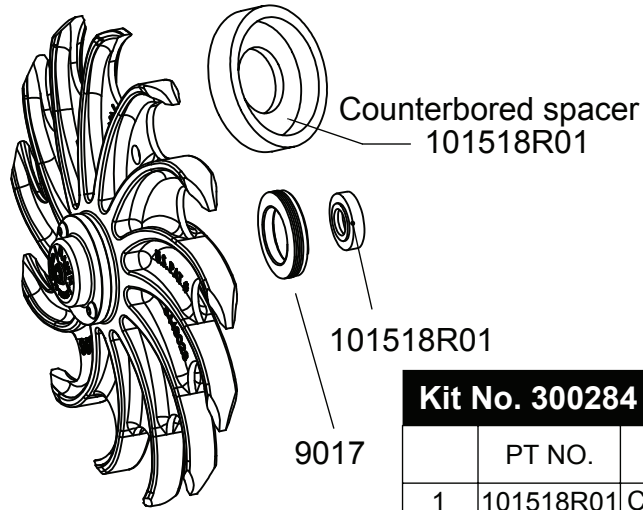


John Deere 7200 W/ Stud Tailpiece



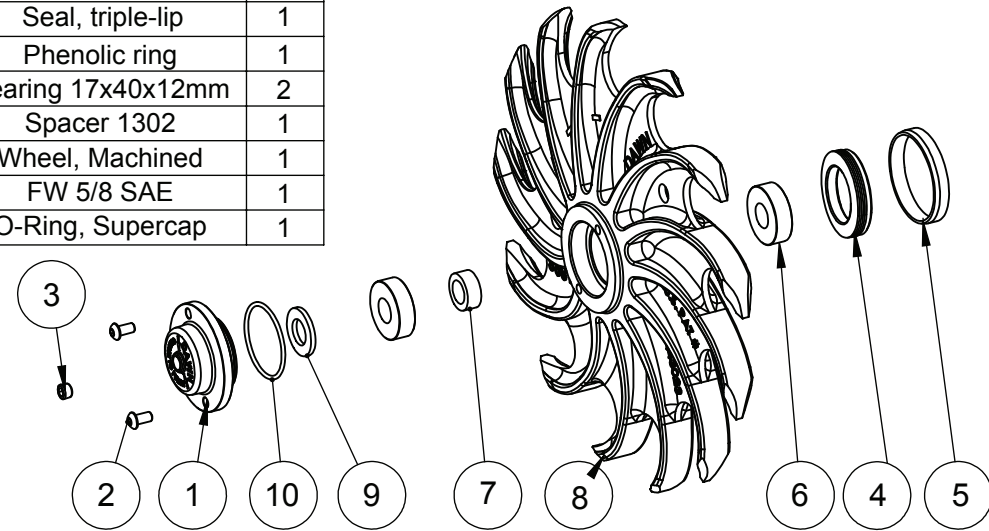
NO.	PART NUMBER	DESCRIPTION	QTY.
1	101315R02	Supercap, CT	1
2	9880R01	1/4-20 x 5/8 socket	2
3	9785	1/8 SS pipe plug	1
4	9017	Seal, triple-lip	1
5	9018	Phenolic ring	1
6	9933	Bearing 17x40x12mm	2
7	101461	Spacer 1302	1
8	101898M_BB L&R	Wheel, Machined	1
9	9032	FW 5/8 SAE	1
10	9662R01	O-Ring, Supercap	1

Kit No. 300284

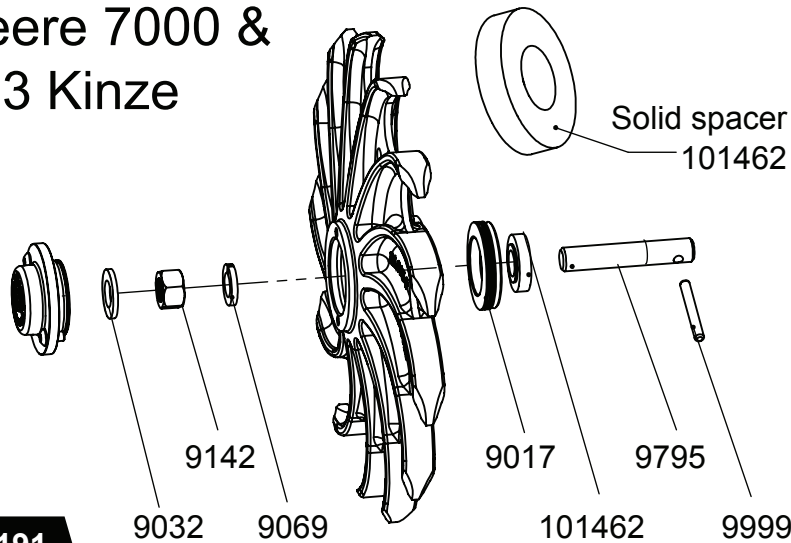
	PT NO.	DESCRIPTION	QTY.
1	101518R01	Counterbore Spacer	1
2	9017	Seal, Triple-lip	1

1302 Common parts

These parts are in all 1302 Curvetines



John Deere 7000 & Pre-1993 Kinze



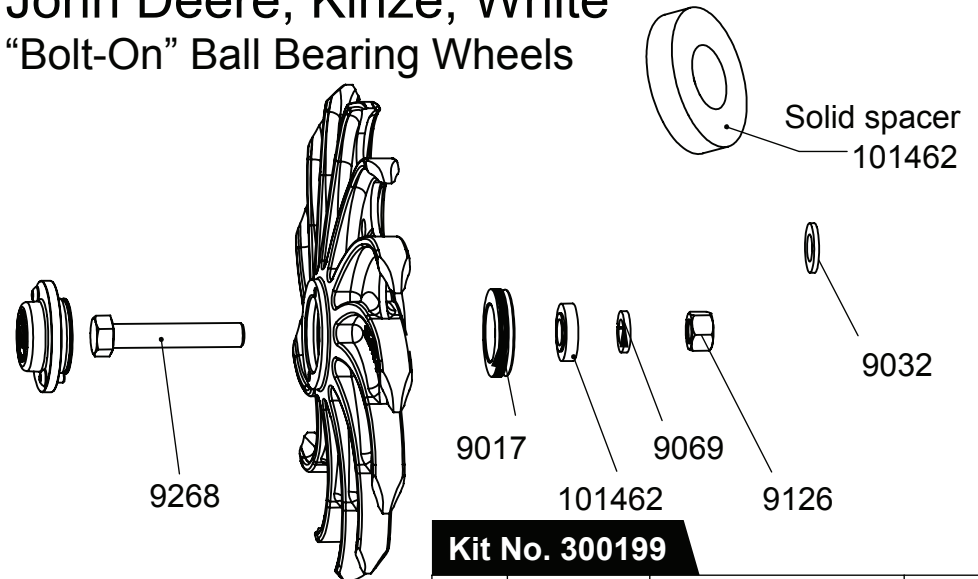
Kit No. 300191

	PT NO.	DESCRIPTION	QTY.
1	9999	Pin, Grooved 1/4 x 2	1
2	9032	FW 5/8 x 1.29 x .13	3
3	9069	LW, 5/8 SPLT	1
4	9142	Nut, 5/8-11	1
5	9795	Stud, 3.5" OL	1

Kit No. 300283

	PT NO.	DESCRIPTION	QTY.
1	101462R01	Solid Spacer	1
2	9017	Seal, Triple-lip	1

John Deere, Kinze, White "Bolt-On" Ball Bearing Wheels



Kit No. 300199

	PT NO.	DESCRIPTION	QTY.
1	9126	Nut 5/8-11	1
2	9268	HHCS 5/8-11 x 3.5	1
3	9069	LW, 5/8 SPLT	1
4	9032	FW 5/8 x 1.29 x .13	4