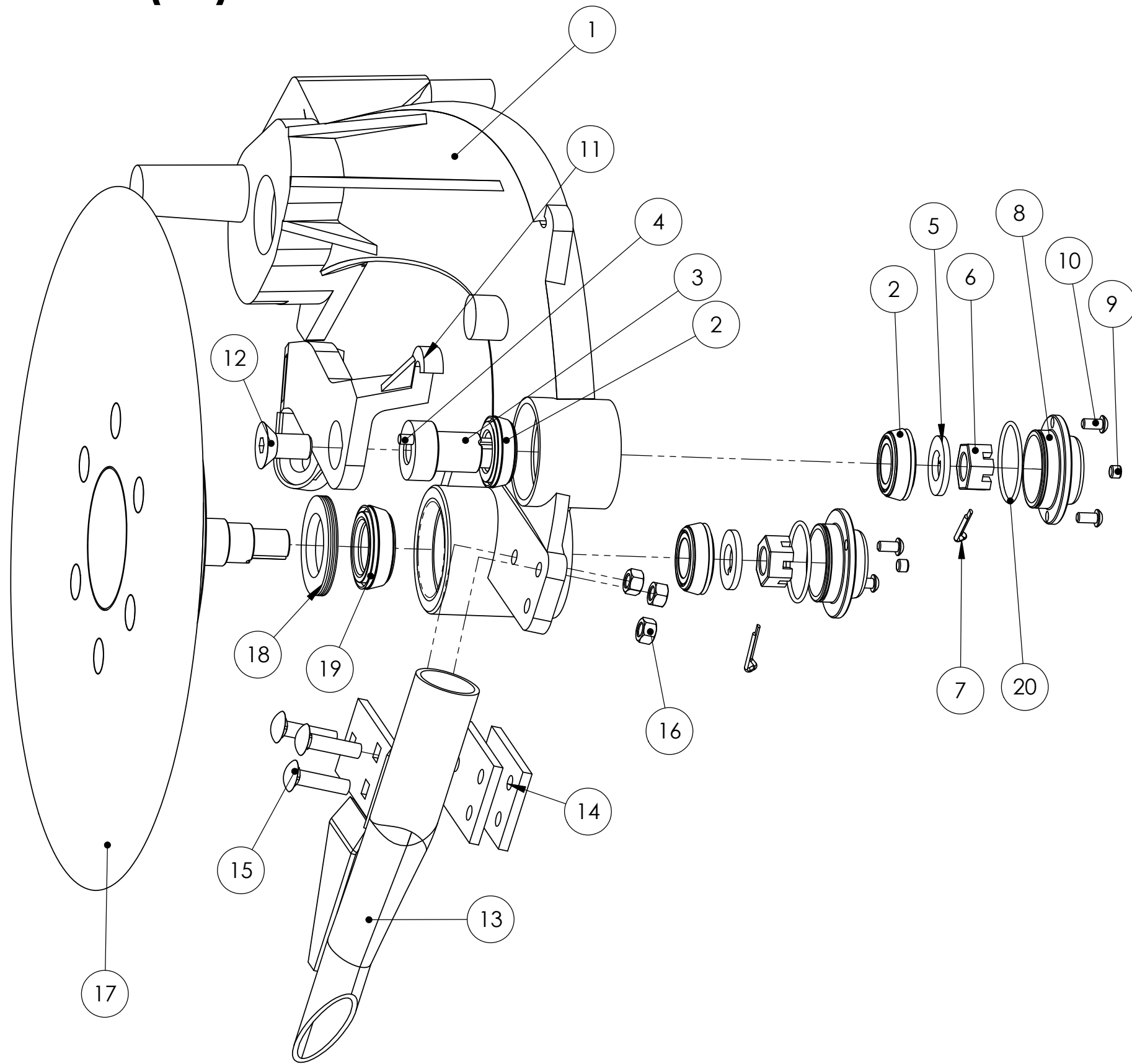
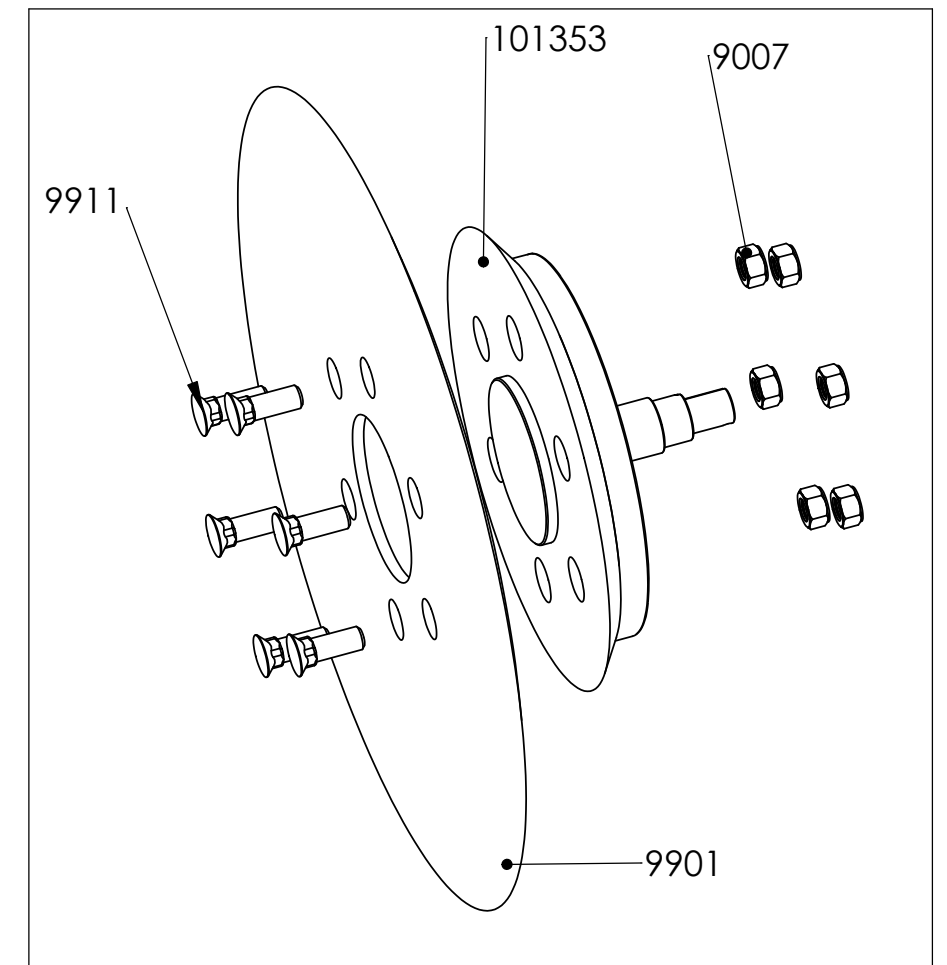


3004 (1)

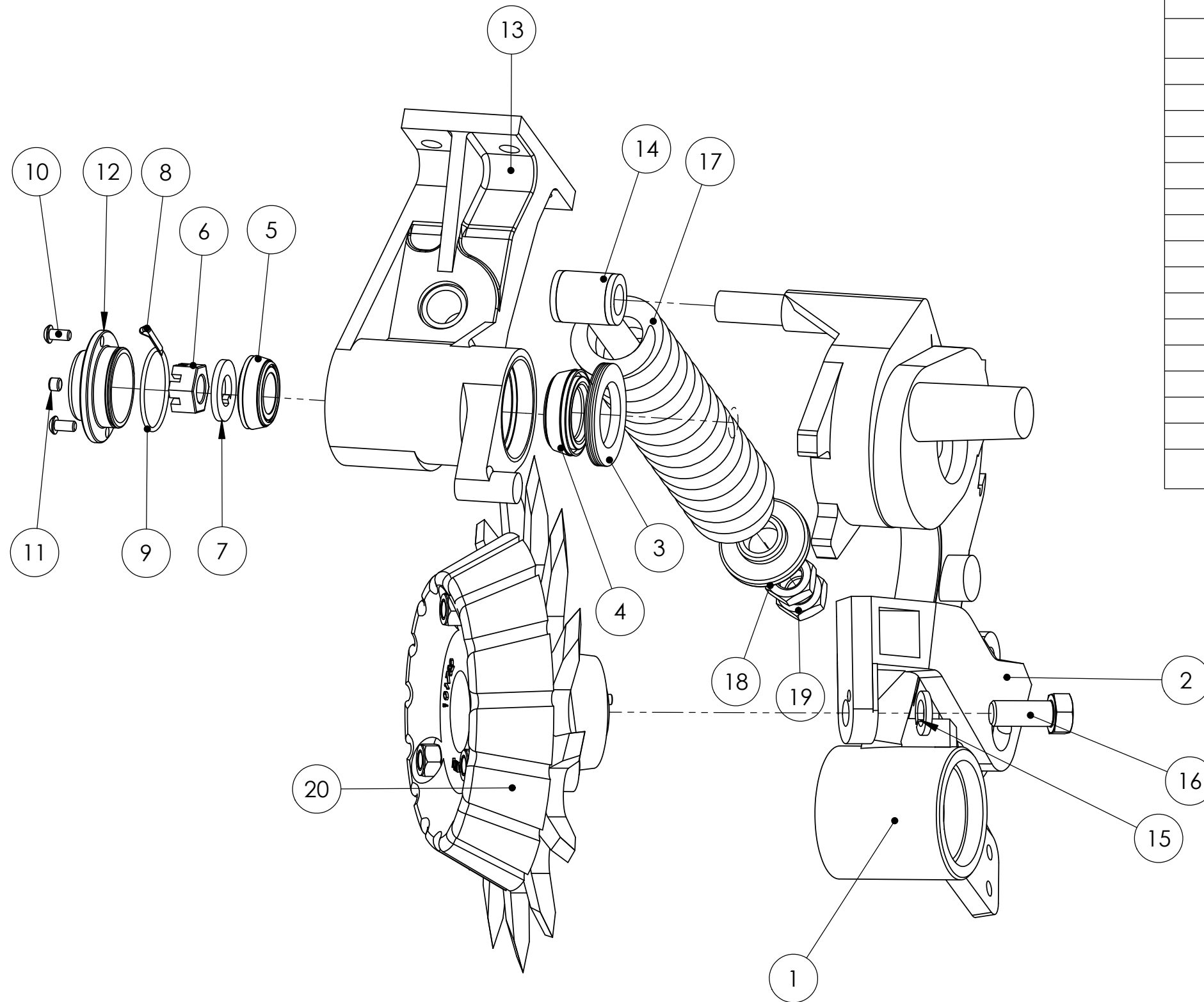


ITEM NO.	PART NUMBER	DESCRIPTION	QTY.
1	101576R	ARM, CAST 3004 MAIN ARM RH	1
2	9016	BEARING CONE	3
3	100066	SHAFT, HUB	1
4	9803	PIN GROOVED 1/4 X 3/4 TYPE-H Z	1
5	9028	WASHER TONGUE	2
6	9024	NUT 3/4UNF HX SLOTTED CASTLE	2
7	9019	PIN COTTER - HAMMERLOCK	2
8	101315	CAP, CT I SUPERCAP	2
9	9785	PLUG, 1/8 NPT 304 SS SOC HD	2
10	9880	SCREW HX BTN HD SS 1/4-20 X1/2	4
11	101577R	ARM, CAST 3004 TW ARM RH	1
12	9971	FHSHCS 5/8-11 X 1.25 STD RH	1
13	200470LH	TUBE WELDT, FERT, RH	1
14	101363	PAD, SPACER, RUBBER	2
15	9912	CB 3/8 X 1.50 UNC	3
16	9913	NUT, HX FLG LOCK 3/8 UNC SS	3
17	301317	FC SPINDLE COULTER ASSY	1
18	9907	SEAL, TRIPLE LIP (1.625 SHAFT)	1
19	9910	BEARING CONE ASSY - 1.25 SHAFT	1
20	9662	O-RING SUPERCAP	2

301317

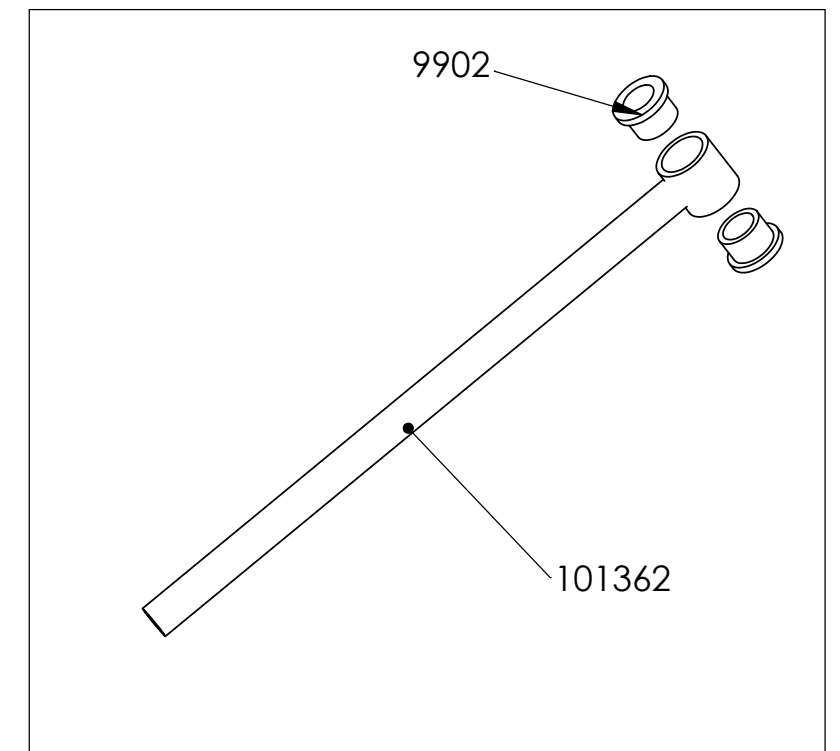


3004 (3)

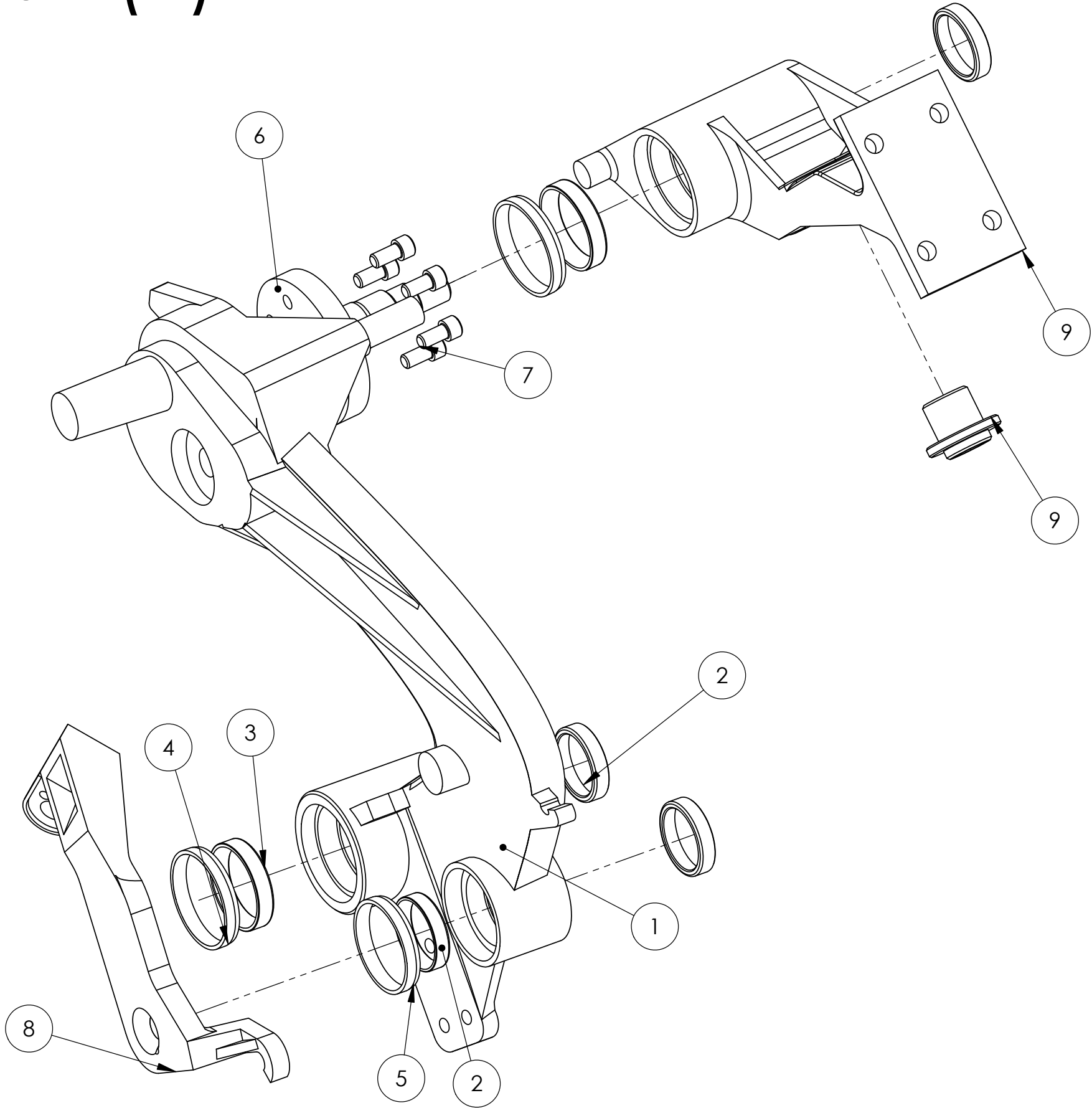


ITEM NO.	PART NUMBER	DESCRIPTION	QTY.
1	101576R	ARM, CAST 3004 MAIN ARM LH	1
2	101577R	ARM, CAST 3004 TW ARM RH	1
3	9907	SEAL, TRIPLE LIP (1.625 SHAFT)	1
4	9910	BEARING CONE ASSY - 1.25 SHAFT	1
5	9016	BEARING CONE	1
6	9024	NUT 3/4UNF HX SLOTTED CASTLE	1
7	9028	WASHER TONGUE	1
8	9019	PIN COTTER - HAMMERLOCK	1
9	9662	O-RING SUPERCAP	1
10	9880	SCREW HX BTN HD SS 1/4-20 X1/2	2
11	9785	PLUG, 1/8 NPT 304 SS SOC HD	1
12	101315	CAP, CT I SUPERCAP (MACHD)	1
13	301320	3004, MOUNT PRESS ASEM RH	1
14	300267	ROD PRESS ASSY, FC SPRING	1
15	9069	LW 5/8 SPLIT HVY DUTY ZN	1
16	9101	HHCS 5/8-11 X 1-1/2 GR8 ZN	1
17	101358	SPRING, COMPRESSION	1
18	101365	SPACER, CLTR, SPRING .875 ID	1
19	9149	NUT 3/4-10 GR5 ZN HX JAM	2
20	TW AND HUB ASS'Y		1

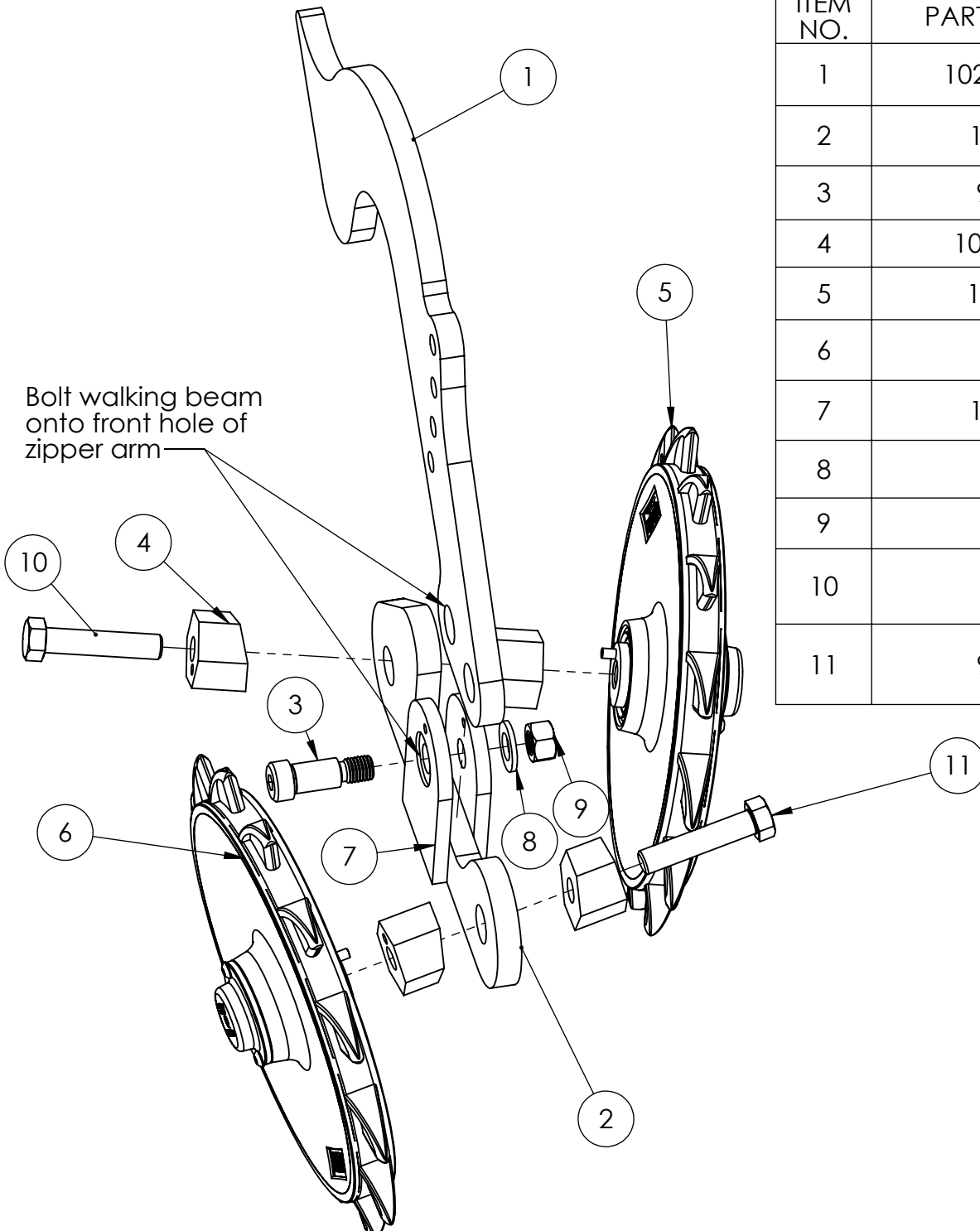
300267



3004 (4)



ITEM NO.	PART NUMBER	DESCRIPTION	QTY.
1	101576R	ARM, CAST 3004 MAIN ARM LH	1
2	9015	BEARING CUP	3
3	9539	BEARING CUP	1
4	9909	SEAL, RING, PHENOLIC, 2.60 OD	1
5	9018	SEAL, RING, PHENOLIC	1
6	101646	SHAFT, MCHD 3004 MAIN PVT	1
7	9961	SHCS 3/8-16 X 1	6
8	101577R	ARM, CAST 3004 TW ARM RH	1
9	301320	3004, MOUNT PRESS ASEM RH	1



ITEM NO.	PART NUMBER	DESCRIPTION	QTY.
1	102014R_r2	ZIPPER ARM	1
2	102194	WALKING BEAM	1
3	90200	SHLD SCR 3/4 X 1 1/4	1
4	101963_H	HAMMES HEX ADJUSTMENT	4
5	1220RH	CURVETINE 2 RH	1
6	1220	CURVETINE 2 LH	1
7	102195	WALKING BEAM PIVOT	2
8	9032	5/8 Washer	1
9	9142	5/8-11 nut	1
10	9840	HHCS, 5/8 X 3.0 GR 8 ZN	1
11	90144	HHCS 5/8-11 X 3.0 GR 8 ZN- LH	1