

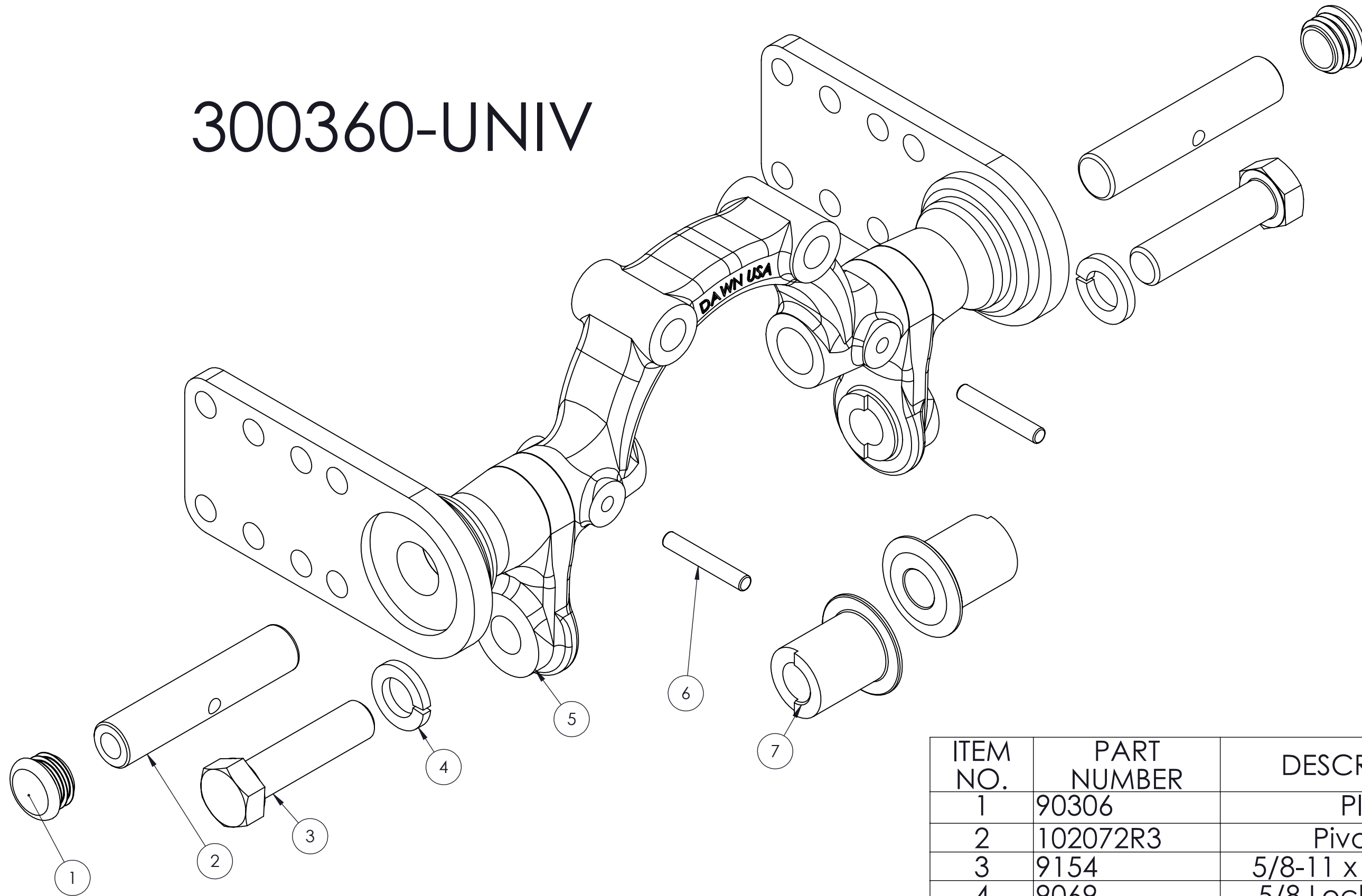
ITEM NO.	PART NUMBER	DESCRIPTION	QTY.
1	300360-UNIV	Yoke Assembly	1
2	300358	Pivoting Arms	1
3	1130A-12.75-GFX	Trashwheels	1
4	300359	Hydraulic Cylinder	1

5010-UNIV

DAWN[®] EQUIPMENT COMPANY
 BOX 497 SYCAMORE, ILLINOIS 60178 USA

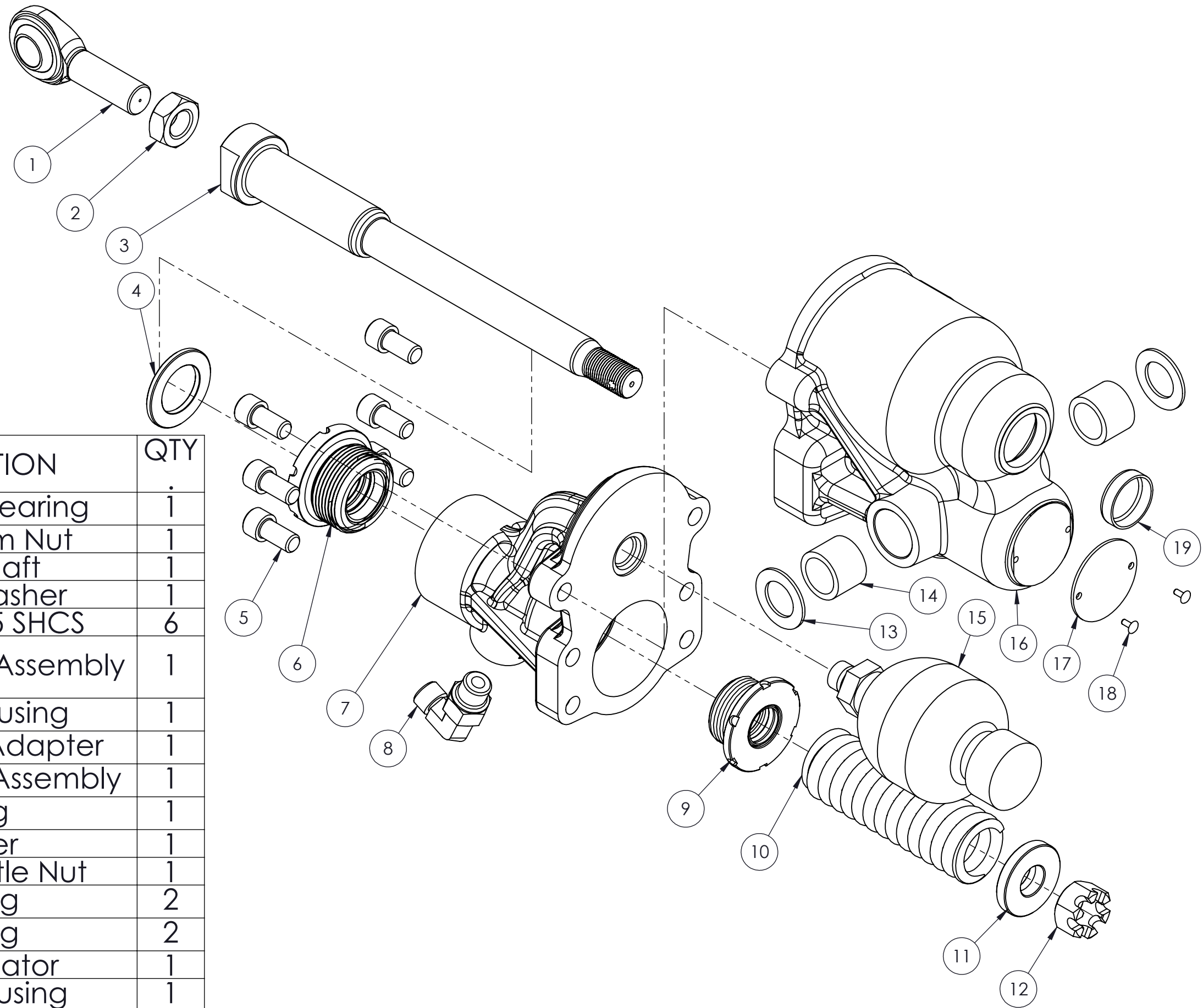
PROPRIETARY AND CONFIDENTIAL THE INFORMATION CONTAINED IN THIS DRAWING IS THE SOLE PROPERTY OF DAWN EQUIPMENT COMPANY. ANY REPRODUCTION IN PART OR AS A WHOLE WITHOUT THE WRITTEN PERMISSION OF DAWN EQUIPMENT COMPANY IS STRICTLY PROHIBITED.	PLEASE NOTE: THIS DRAWING IS THE PROPERTY OF THE DAWN EQUIPMENT COMPANY AND IS NOT TO BE USED FOR ANY PURPOSE DETRIMENTAL TO ITS INTEREST. ALL DESIGN RIGHTS ARE RESERVED.	REV	DATE	DESCRIPTION	BY	DRWN: NEH	SCALE: 1:4
		NAME	UNIVERSAL GFX ASSEMBLY	DRAWING NUMBER	REV	DATE: 11-23-10	APPROVED:

300360-UNIV



ITEM NO.	PART NUMBER	DESCRIPTION	QTY.
1	90306	Plug	2
2	102072R3	Pivot Pin	2
3	9154	5/8-11 x 2.5 HHCS	2
4	9069	5/8 Lock Washer	2
5	200959	Yoke Weldment	1
6	90289	1/4 x 1.625 Pin	2
7	102064_r2	Rotary Bushing	2

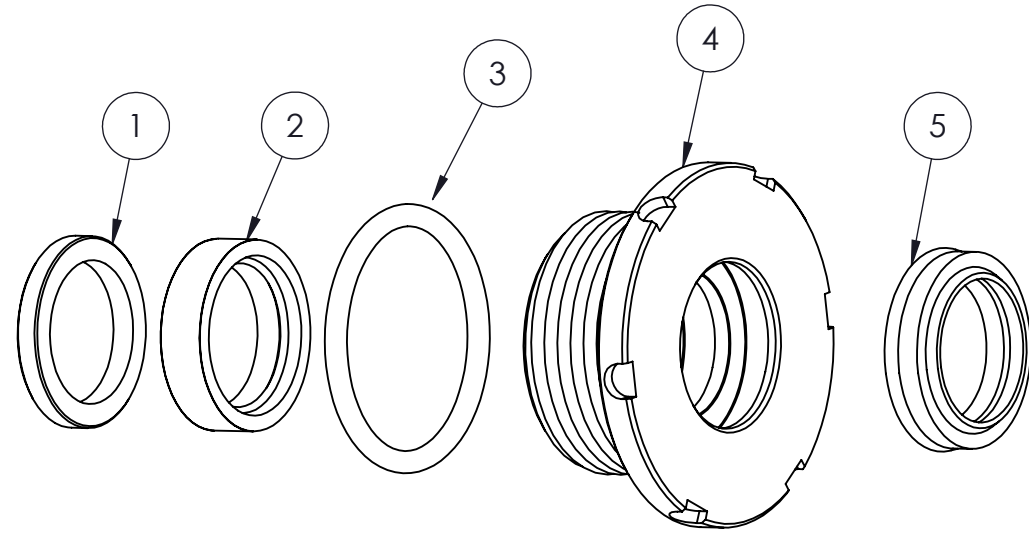
300359



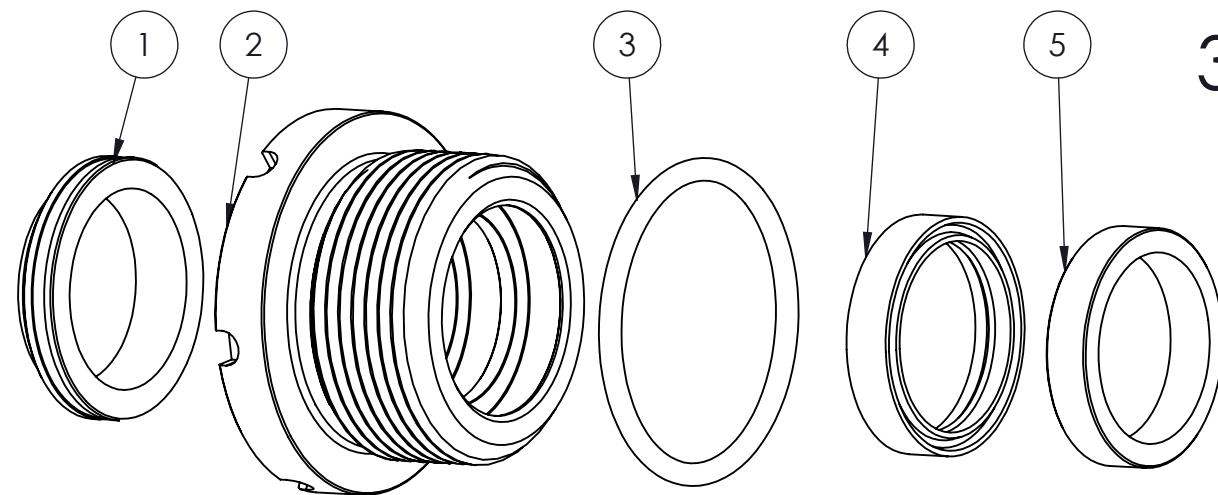
ITEM NO.	PART NUMBER	DESCRIPTION	QTY
1	90089	Spherical Bearing	1
2	90090	5/8-18 Jam Nut	1
3	102042	Main Shaft	1
4	90087	Plastic Washer	1
5	90151	3/8-16 x .75 SHCS	6
6	300366	Large Gland Assembly	1
7	102036_r6	Upper Housing	1
8	90192	90 Degree Adapter	1
9	300367	Small Gland Assembly	1
10	90141	Spring	1
11	102044	Washer	1
12	90082	5/8-18 Castle Nut	1
13	90148	Bushing	2
14	90084_R2	Bushing	2
15	90086	Accumulator	1
16	102038_R3	Lower Housing	1
17	90097_R2	Name Plate	1
18	9041	Rivet	2
19	90150	Plug	1
20	90123_R1		1

ITEM NO.	PART NUMBER	DESCRIPTION	QTY.
1	90077	Wear Ring	1
2	90076	Seal	1
3	90066	O-Ring	1
4	102046_r2	Seal Body	1
5	90072	Wiper Seal	1

300367

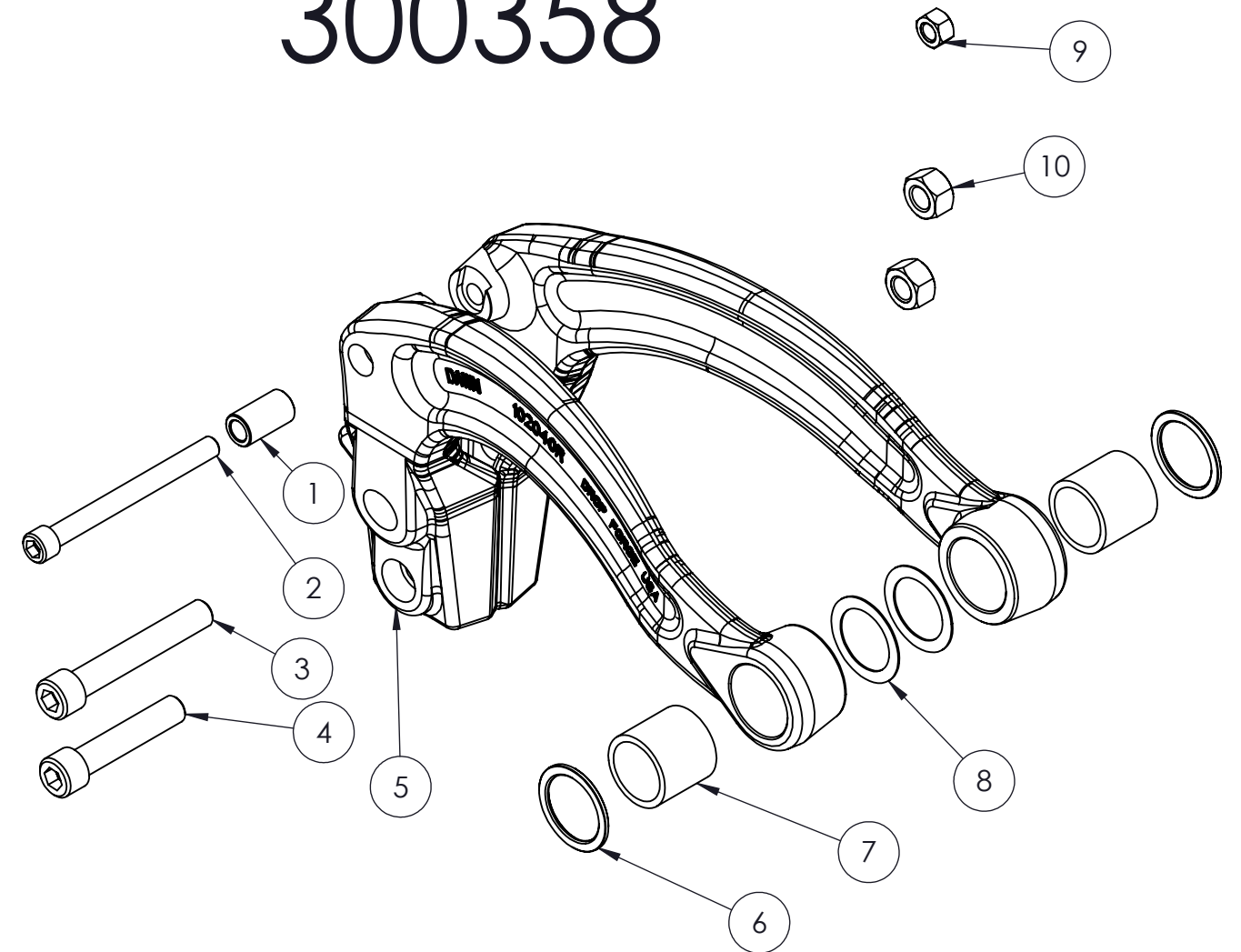


ITEM NO.	PART NUMBER	DESCRIPTION	QTY.
1	90075_r2	Wiper Seal	1
2	102045_r2	Seal Body	1
3	90067	O-Ring	1
4	90073	Seal	1
5	90074	Wear Ring	1



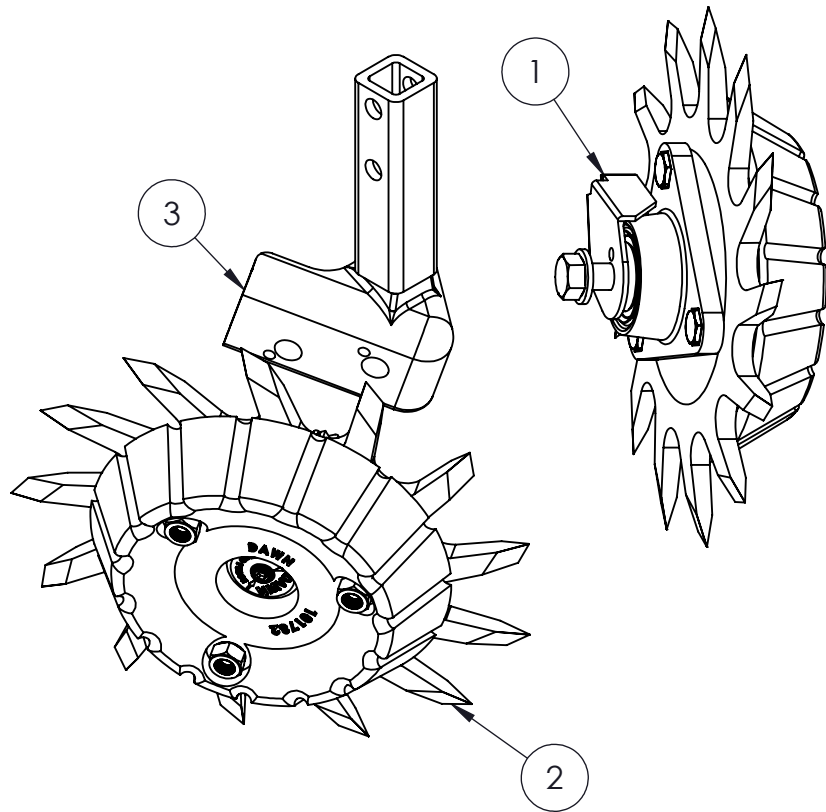
300366

300358

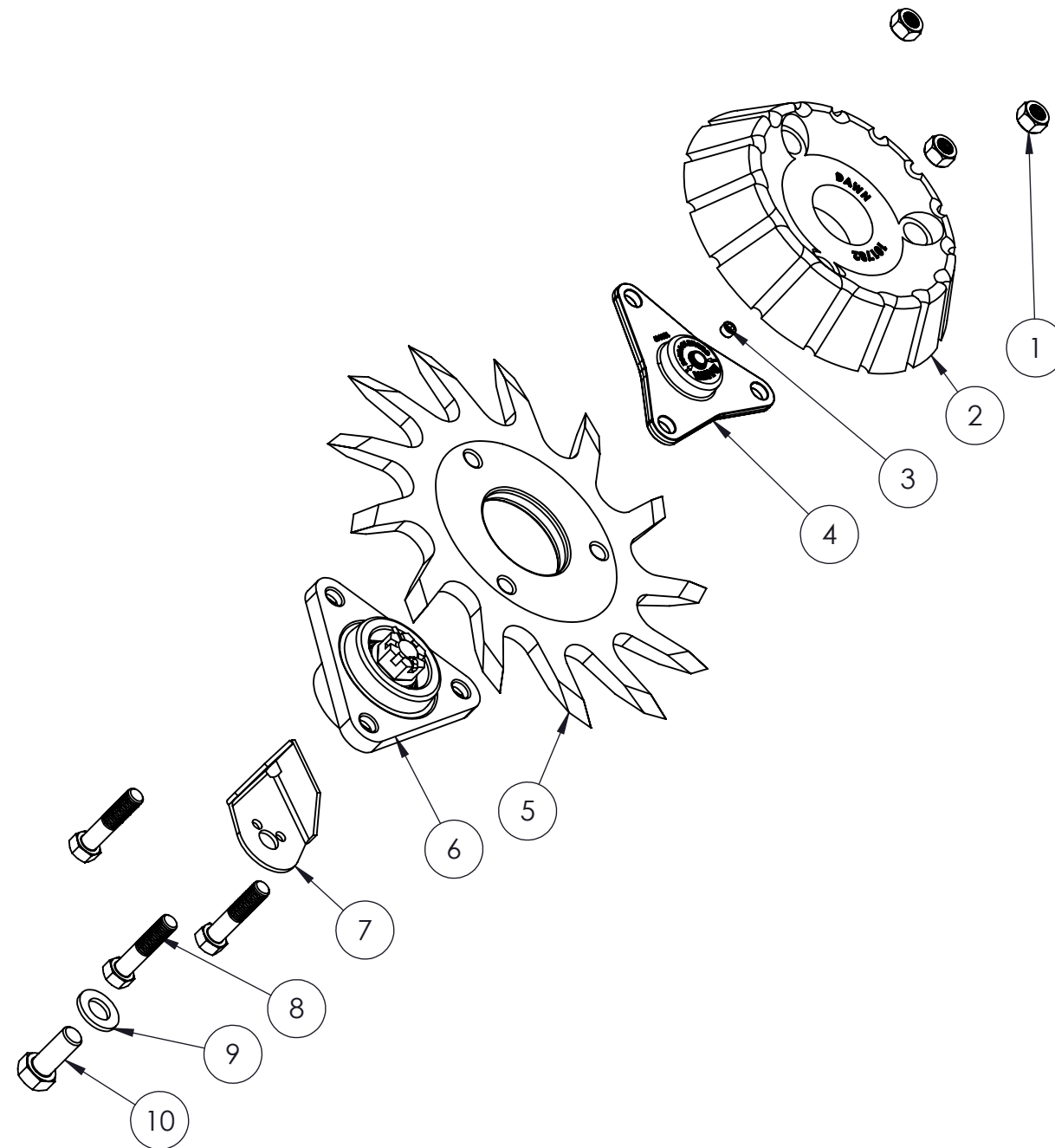


ITEM NO.	PART NUMBER	DESCRIPTION	QTY.
1	102069	Collar Bushing	1
2	90153	3/8-16 x 4 SHCS	1
3	90121	1/2-13 x 3.5 SHCS	1
4	90120	1/2-13 x 2.75 SHCS	1
5	200901	Arm Weldment	1
6	102071	Plastic Thrust Washer	2
7	90100r2	Bushing	2
8	90149	Plastic Thrust Washer	2
9	90081	3/8-16 Washer	1
10	9454	1/2-13 Washer	2

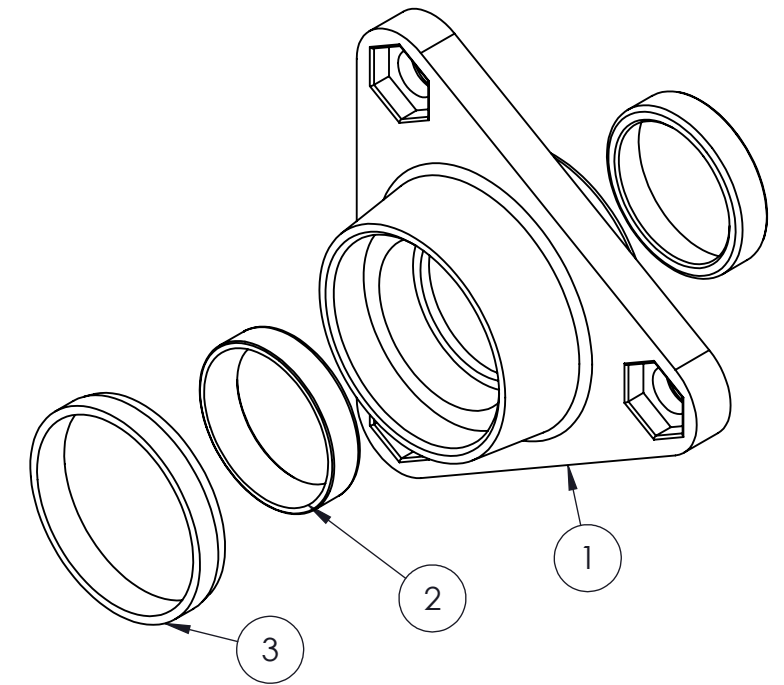
ITEM NO.	PART NUMBER	DESCRIPTION	QTY.
1	400076-1-12.75 LH DB	LH Trashwheel	1
2	400076-1-12.75 RH DB	RH Trashwheel	1
3	200879	Stem Weldment	1



ITEM NO.	PART NUMBER	DESCRIPTION	QTY.
1	9007	1/2-13 Lock Nut	3
2	101782	Depth Band	1
3	9785	Pipe Plug	1
4	100949_R2 CASTING	Super Cap	1
5	101550R2	12.75" Trashwheel	1
6	400014	Hub Assembly	1
7	100882	Scraper	1
8	9077	1/2-13 x 2.25 HHCS	3
9	9032	5/8 Washer	1
10	9101	5/8-11 x 1.5 HHCS	1



ITEM NO.	PART NUMBER	DESCRIPTION	QTY.
1	200075	Hub	1
2	9015	Bearing Cup	2
3	9018	Plastic Ring	1



ITEM NO.	PART NUMBER	DESCRIPTION	QTY.
1	100066		1
2	9803	Groove Pin	1
3	9017	Triple Lip Seal	1
4	300041	Hub Press Assembly	1
5	9016	Tapered Roller Bearing	2
6	9028	Tong Washer	1
7	9024	Castle Nut	1
8	9019	Cotter Pin	1

