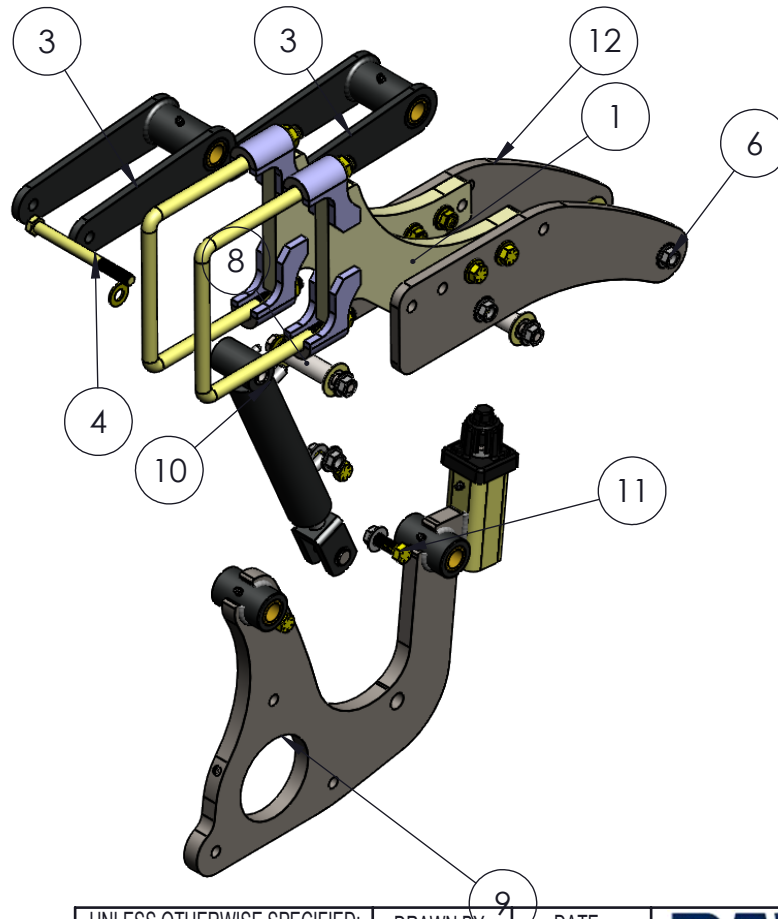



| ITEM NO. | PART NUMBER                 | DESCRIPTION               | QTY. |
|----------|-----------------------------|---------------------------|------|
| 1        | 102748                      | SPACER, ZRX FRONT OF LINK | 2    |
| 2        | 90703                       | WASHER, THRUST, 7/8 X 1-1 | 8    |
| 3        | 300550                      | PRESS AS, ZRX LINKAGE     | 2    |
| 4        | 90459                       | HHCS 1/2-13 X 5.5 GR8     | 3    |
| 5        | 9003                        | FW, 1/2 ZINC YELLOW       | 5    |
| 6        | 9007_R1                     | NUT 1/2-13 FLG LCK GR5 ZN | 8    |
| 7        | HBOLT 0.5000-13x4.25x1.25-N | HHCS                      | 2    |
| 8        | 102749                      | SPACER, LOWER LINK, ZRX   | 2    |
| 9        | 300551                      | PRESS AS, ZRX MAIN BODY   | 1    |
| 10       | 300555                      | CYLINDER ASSEMBLY ZRX     | 1    |
| 11       | 9088                        | HHCS, 1/2-13 X 1.75 GR 8  | 3    |
| 12       | 102799                      | Side Plate                | 2    |
| 13       | 300572                      | MOUNT, ZRX SHIFT FRONT    | 1    |

| REVISIONS |             |     |             |               |
|-----------|-------------|-----|-------------|---------------|
| REV       | DESCRIPTION | ECO | REVISION BY | REVISION DATE |
| -         |             |     |             |               |



|   |                                    |                     |  |
|---|------------------------------------|---------------------|--|
| UNLESS OTHERWISE SPECIFIED:<br><br>ALL DIMENSIONS ARE IN INCHES<br>TOLERANCES:<br>ONE PLACE DECIMAL= ±.06<br>TWO PLACE DECIMAL= ±.03<br>THREE PLACE DECIMAL= ±.015                | DRAWN BY:<br>JML                   | DATE:<br>09/12/2017 | <br><b>DAWN</b> EQUIPMENT COMPANY<br>BOX 497 SYCAMORE, ILLINOIS 60178 USA |
|   | CHECKED:                           | DATE:               |  |
| PLEASE NOTE:<br><br>THIS DRAWING IS THE PROPERTY OF THE DAWN EQUIPMENT COMPANY AND IS NOT TO BE USED FOR ANY PURPOSE DETRIMENTAL TO ITS INTEREST. ALL DESIGN RIGHTS ARE RESERVED. | APPROVED:                          | DATE:               | DWG. NO.<br>5054   |
|   | MATERIAL: Material <not specified> | SCALE: 1:8          | WEIGHT: 81.990   |